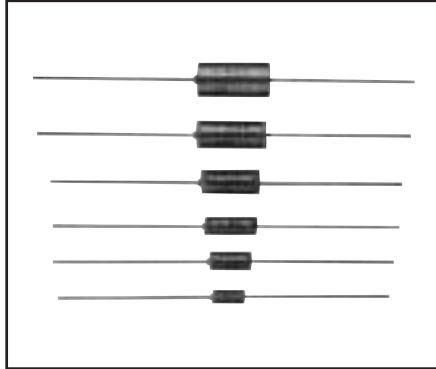


TYPE 112

Hermetically sealed
in metal case
Extended Series

⚠ CAUTIONS

- This capacitor is polarized, do not apply reverse voltage.
- The sum of peak value of AC and DC voltage should not exceed the rated voltage.
- This catalog is designed for providing general information. Please inquire of our Sales Department to confirm specifications prior to use.



FEATURES

1. The 112 series offers aggressive Capacitance/Voltage values in 6 case sizes.
2. The 112 series offers a high reliability rating of "P" failure rate, 0.1% / 1000h and 5% capacitance tolerance of "J" rating is also available.
3. The 112 series is available for package in Tape (for A, E, B only).

CHARACTERISTICS

ITEM	CHARACTERISTICS
Failure rate level	1%/1000h(Code M)
Operating temperature range	-55~+85°C to +125°C with voltage derating
Rated voltage	6.3-10-16-20-25-35-50VDC
Capacitance range	1.5~1000 μF
Capacitance tolerance	±10%, ±20%

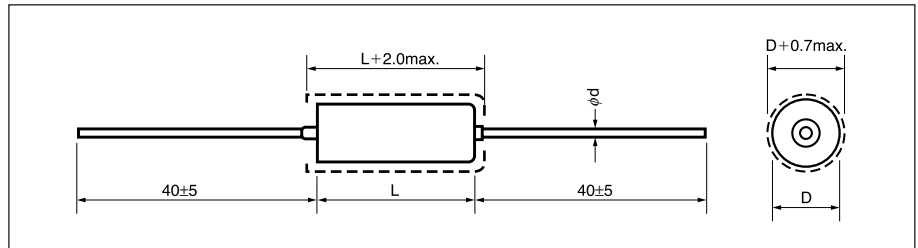
This products can manufacture the approved item by Japanese authorized organization.

Please inquire of our Sales Department for specification.

- MIL-C39003H

DIMENSIONS

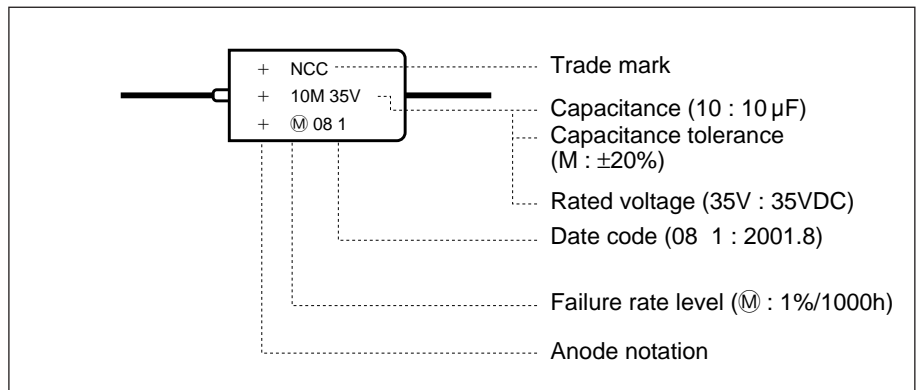
mm



CASE SIZE

Case code	D±0.5	L±1	d
A	3.15	6.3	0.5 ^{+0.1} / _{-0.025}
E	4.5	10.0	0.5 ^{+0.1} / _{-0.025}
B	4.5	11.5	0.5 ^{+0.1} / _{-0.025}
H	6.3	12.5	0.65 ^{+0.12} / _{-0.03}
C	7.1	16.0	0.65 ^{+0.12} / _{-0.03}
D	8.7	19.5	0.65 ^{+0.12} / _{-0.03}

MARKING





SOLID-ELECTROLYTE TANTALUM CAPACITORS

TYPE 112

Hermetically sealed
in metal case
Extended Series

STANDARD RATINGS

R.V.(VDC) Cap.(μF)	6.3	10	16	20	25	35	50
1.5						A	E
2.2					A	E	E
3.3				A		E	E
4.7			A			E	
6.8		A			E		B
10	A			E		B	H
15			E		B	H	
22		E		B		H	C
33	E		B		H	C	D
47	E	B		H		C	
68		B	H		C	D	
100	B	H		C	D	D	
150	H		C	D	D		
220	H	C	D	D			
330	C		D				
470	C	D					
680	D						
1000	D						

RATINGS AND CATALOG NUMBERS

Catalog number	cap. (μF)	case code	Max DC Lct. (μA)			Max Dissipation factor				
			20°C	85°C	125°C	-55°C	20°C	85°C	125°C	
Rated voltage 6.3VDC/Surge voltage 8VDC										
112 M 6301 106 □	10	A	0.6	6	7.9	0.06	0.06	0.06	0.06	
112 M 6301 336 □	33	E	2.1	21	26	0.06	0.06	0.06	0.06	
112 M 6301 476 □	47	E	3.0	30	37	0.06	0.06	0.06	0.06	
112 M 6301 107 □	100	B	6.3	63	79	0.08	0.08	0.08	0.08	
112 M 6301 157 □	150	H	9.5	95	118	0.08	0.08	0.08	0.08	
112 M 6301 227 □	220	H	14	140	173	0.08	0.08	0.08	0.08	
112 M 6301 337 □	330	C	21	210	260	0.08	0.08	0.08	0.08	
112 M 6301 477 □	470	C	30	300	370	0.10	0.10	0.10	0.12	
112 M 6301 687 □	680	D	43	430	536	0.10	0.10	0.10	0.12	
112 M 6301 108 □	1000	D	63	630	788	0.12	0.12	0.15	0.15	
Rated voltage 10VDC/Surge voltage 13VDC										
112 M 1002 685 □	6.8	A	0.7	7	8.5	0.06	0.06	0.06	0.06	
112 M 1002 226 □	22	E	2.2	22	28	0.06	0.06	0.06	0.06	
112 M 1002 476 □	47	B	4.7	47	59	0.06	0.06	0.06	0.06	
112 M 1002 686 □	68	B	6.8	68	85	0.06	0.06	0.06	0.06	
112 M 1002 107 □	100	H	10	100	125	0.08	0.08	0.08	0.08	
112 M 1002 227 □	220	C	22	220	275	0.08	0.08	0.08	0.08	
112 M 1002 477 □	470	D	47	470	588	0.10	0.10	0.10	0.12	
Rated voltage 16VDC/Surge voltage 20VDC										
112 M 1602 475 □	4.7	A	0.8	8	9.4	0.04	0.04	0.04	0.05	
112 M 1602 156 □	15	E	2.4	24	30	0.06	0.06	0.06	0.06	
112 M 1602 336 □	33	B	5.3	53	66	0.06	0.06	0.06	0.06	
112 M 1602 686 □	68	H	11	110	136	0.06	0.06	0.06	0.06	
112 M 1602 157 □	150	C	24	240	300	0.08	0.08	0.08	0.08	
112 M 1602 227 □	220	D	35	350	440	0.08	0.08	0.08	0.08	
112 M 1602 337 □	330	D	53	530	660	0.08	0.08	0.08	0.08	
Rated voltage 20VDC/Surge voltage 25VDC										
112 M 2002 335 □	3.3	A	0.7	7	8.3	0.04	0.04	0.04	0.05	
112 M 2002 106 □	10	E	2.0	20	25	0.06	0.06	0.06	0.06	
112 M 2002 226 □	22	B	4.4	44	55	0.06	0.06	0.06	0.06	
112 M 2002 476 □	47	H	9.4	94	118	0.06	0.06	0.06	0.06	
112 M 2002 107 □	100	C	20	200	250	0.08	0.08	0.08	0.08	
112 M 2002 157 □	150	D	30	300	375	0.08	0.08	0.08	0.08	
112 M 2002 227 □	220	D	44	440	550	0.08	0.08	0.08	0.08	

□ : capacitance tolerance code "K" (±10%) or "M" (±20%).





SOLID-ELECTROLYTE TANTALUM CAPACITORS

TYPE 112

Hermetically sealed
in metal case
Extended Series

RATINGS AND CATALOG NUMBERS

	Catalog number	cap. (μ F)	case code	Max DC Lct. (μ A)			Max Dissipation factor			
				20°C	85°C	125°C	-55°C	20°C	85°C	125°C
Rated voltage 25VDC/Surge voltage 32VDC	112 M 2502 225 □	2.2	A	0.6	6	6.9	0.04	0.04	0.04	0.05
	112 M 2502 685 □	6.8	E	1.7	17	21	0.06	0.06	0.06	0.06
	112 M 2502 156 □	15	B	3.8	38	47	0.06	0.06	0.06	0.06
	112 M 2502 336 □	33	H	8.3	83	103	0.06	0.06	0.06	0.06
	112 M 2502 686 □	68	C	17	170	213	0.06	0.06	0.06	0.06
	112 M 2502 107 □	100	D	25	250	313	0.08	0.08	0.08	0.08
	112 M 2502 157 □	150	D	37	370	468	0.08	0.08	0.08	0.08
Rated voltage 35VDC/Surge voltage 44VDC	112 M 3502 155 □	1.5	A	0.5	5	6.6	0.04	0.04	0.04	0.05
	112 M 3502 225 □	2.2	E	0.8	8	9.6	0.04	0.04	0.04	0.05
	112 M 3502 335 □	3.3	E	1.2	12	14	0.04	0.04	0.04	0.05
	112 M 3502 475 □	4.7	E	1.6	16	21	0.04	0.04	0.04	0.05
	112 M 3502 106 □	10	B	3.5	35	44	0.06	0.06	0.06	0.06
	112 M 3502 156 □	15	H	5.3	53	66	0.06	0.06	0.06	0.06
	112 M 3502 226 □	22	H	7.7	77	96	0.06	0.06	0.06	0.06
	112 M 3502 336 □	33	C	12	120	144	0.06	0.06	0.06	0.06
	112 M 3502 476 □	47	C	16	160	206	0.06	0.06	0.06	0.06
	112 M 3502 686 □	68	D	24	240	298	0.06	0.06	0.06	0.06
	112 M 3502 107 □	100	D	35	350	437	0.08	0.08	0.08	0.08
	Rated voltage 50VDC/Surge voltage 63VDC	112 M 5002 155 □	1.5	E	0.8	8	9.4	0.04	0.04	0.04
112 M 5002 225 □		2.2	E	1.1	11	14	0.04	0.04	0.04	0.05
112 M 5002 335 □		3.3	E	1.7	17	21	0.04	0.04	0.04	0.05
112 M 5002 685 □		6.8	B	3.4	34	43	0.06	0.06	0.06	0.06
112 M 5002 106 □		10	H	5.0	50	63	0.06	0.06	0.06	0.06
112 M 5002 226 □		22	C	11	110	138	0.06	0.06	0.06	0.06
112 M 5002 336 □		33	D	17	170	206	0.06	0.06	0.06	0.06

□ : capacitance tolerance code "K" ($\pm 10\%$) or "M" ($\pm 20\%$).

